



# Quad Ridged Horn Antenna

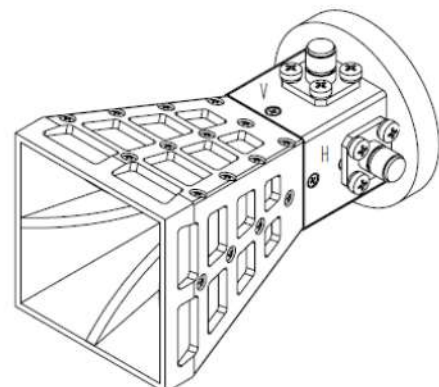
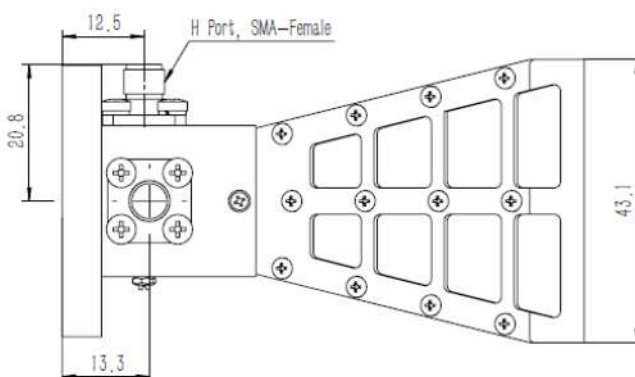
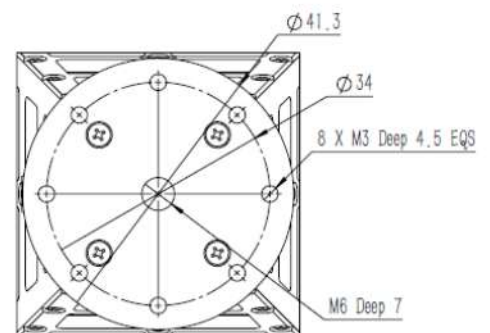
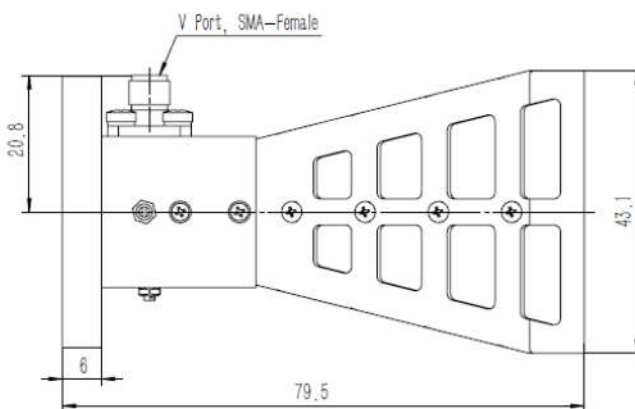
## Specification

### Model : MQH0618

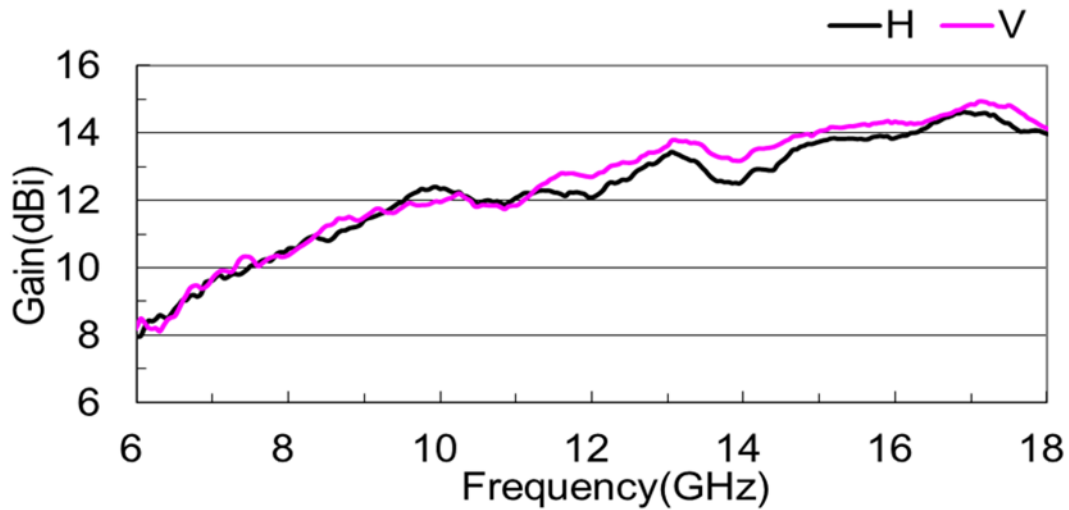


Frequency Range(GHz)	6.0 – 18.0
Gain(dB)	12 Typ.
Polarization	Dual Pol.
VSWR	2.5:1 Max.
	2.0:1 Typ.
3dB Beamwidth(deg)	77 – 24
Cross Pol. Isolation(dB)	20 Min.
	30 Typ.
Port to Port Isolation(dB)	30 Min.
Connector	SMA-F
Size(mm)	43.1 x 43.1 x 79.5
Net Weight(Kg)	0.1 Around

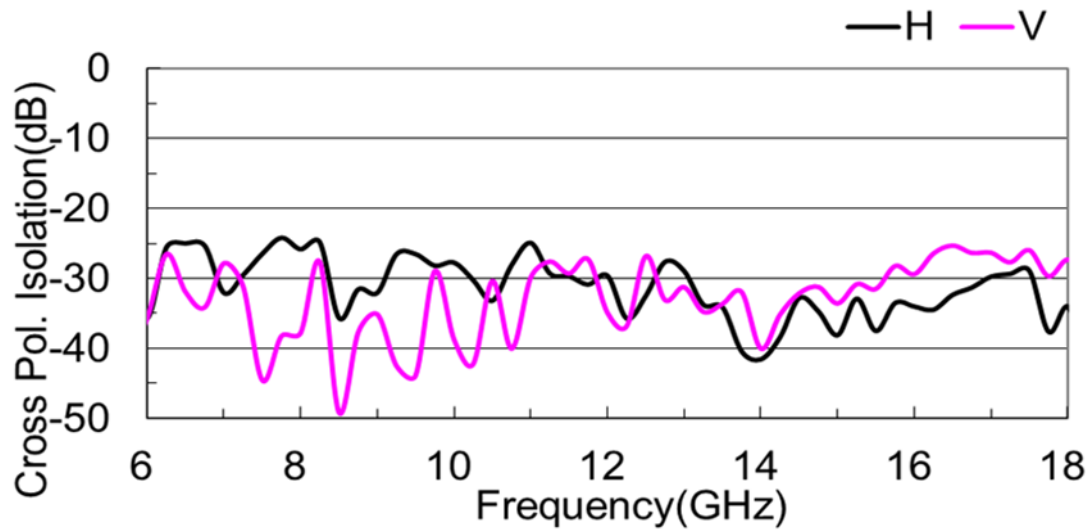
## Outline Drawing (mm)



## Antenna Gain (typ.)



## Cross Polarization isolation (typ.)



## Radiation Patterns (typ.)

